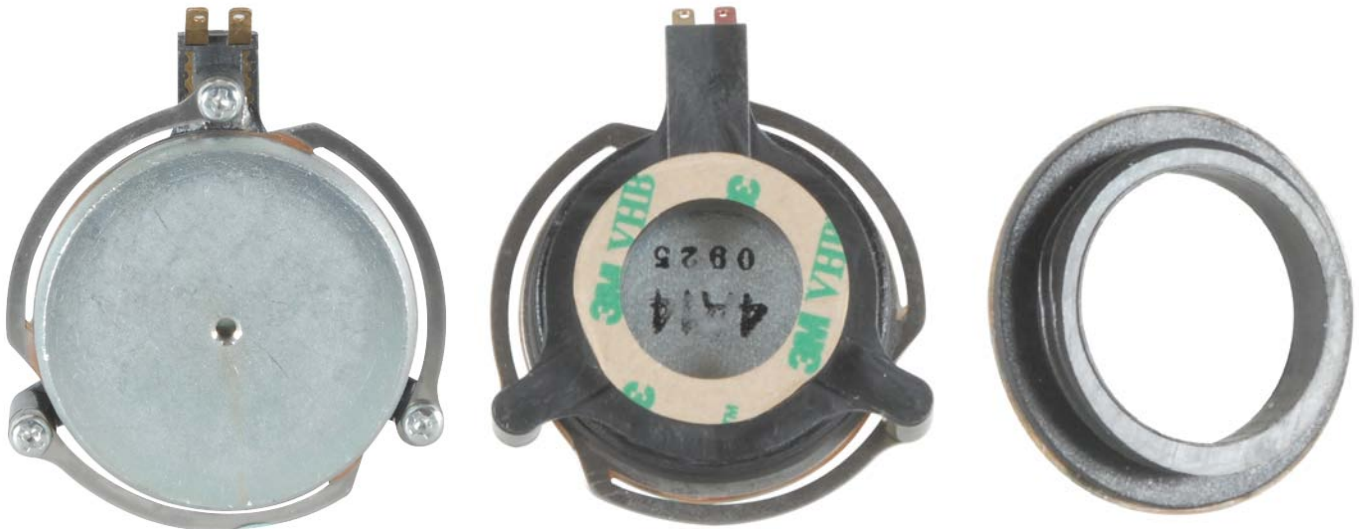




Product Information Sheet

DAEX32 Balanced Exciter with Coupler Ring 32mm



Applications

The balanced exciter is a serviceable, semi-sealed exciter with excellent durability originally designed for automotive applications.

Technical Features

- Available in 4ohm nominal impedance ($\pm 15\%$, manufacturer's specification)
- Rubber seal around magnet cup seals the voice coil assembly from the outside environment
- Supplied with a screw-in adaptor for easy serviceability. The screw-in adaptor (black ring shown in above picture) is typically bonded to the panel surface via a 3M VHB (Very High Bond) adhesive tape, allowing the main body of the exciter to be un-screwed if required.
- Basic exciter dimensions - Max OD $\Phi 59.5\text{mm}$, Thickness 18.5mm, Weight – 133gms.
- Nominal Power rating – 15W rms, Max Power rating – 30W rms (manufacturer's rating according to IEC 268-5)
- Heat resistance – tested at 60°C for 48hrs, Cold resistance – tested at -20°C for 48 hrs (manufacturer's information)
- Humidity resistance - tested at 40°C for 48hrs, 90-95% humidity for 96 hrs (manufacturer's information)

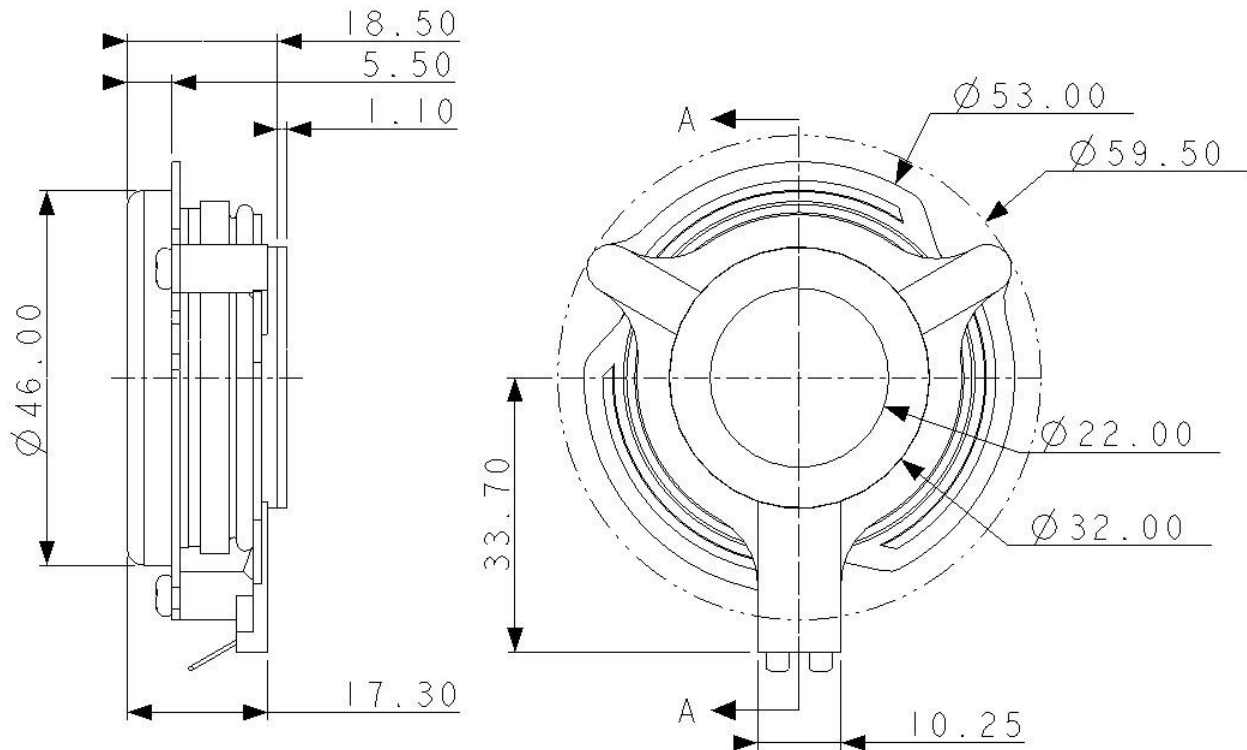
Dynamic Drive Parameters

BI	R_e	$L_e @ 10\text{kHz}$	Expo L_e	Expo R_e	f_{re}	Mms	Mmm
Tm	Ω	μH			kHz	gms	gms
3.533	3.4	99.35	0.881	0.675	12.2	3.2	133

Cms	Rms	dDrv
m/N	Ns/m	cm
24.132	1.508	3.2

Impedance measured using Clio and drive parameters calculated using ExcParam (NXT Designer software)

Basic Drawing



Dayton Audio
 Springboro, Ohio, USA
 Phone: 937.743.8248
 daytonaudio.com